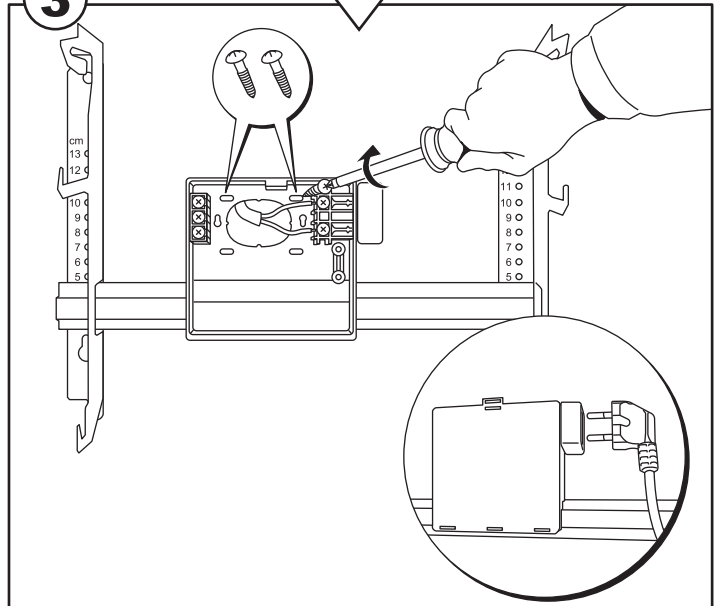
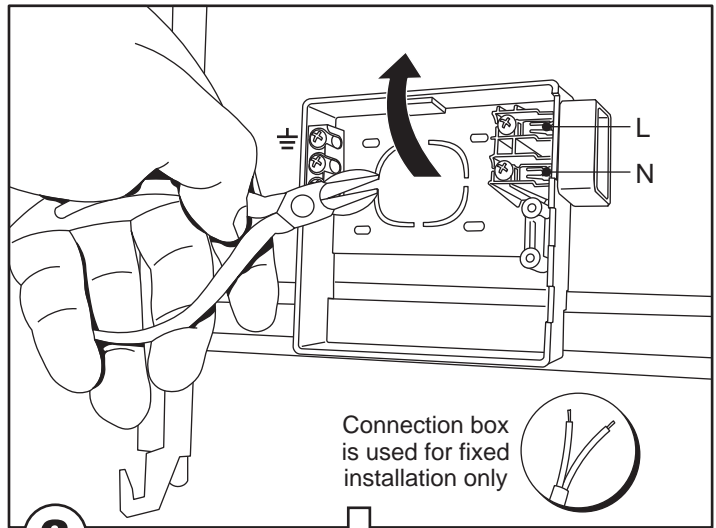
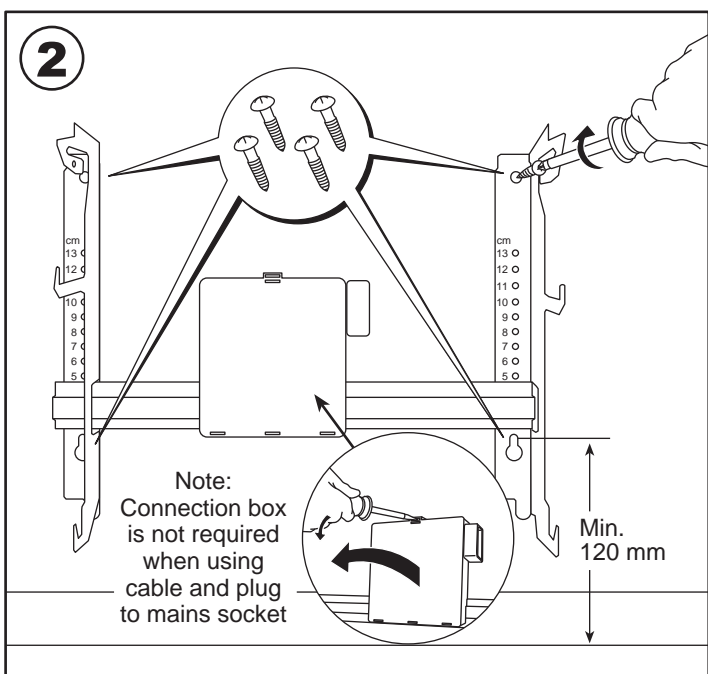
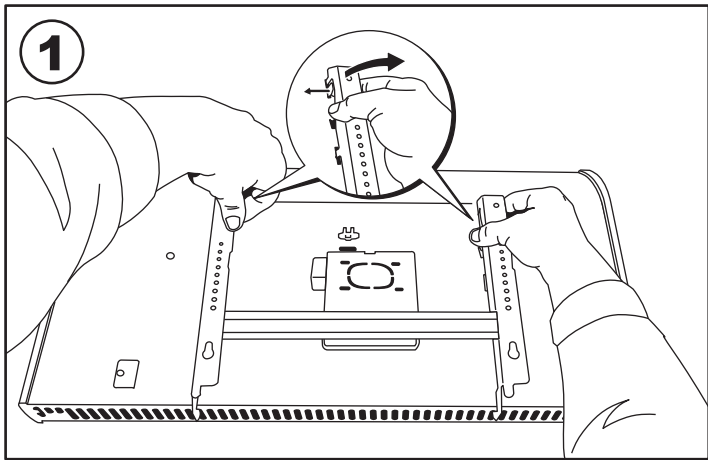


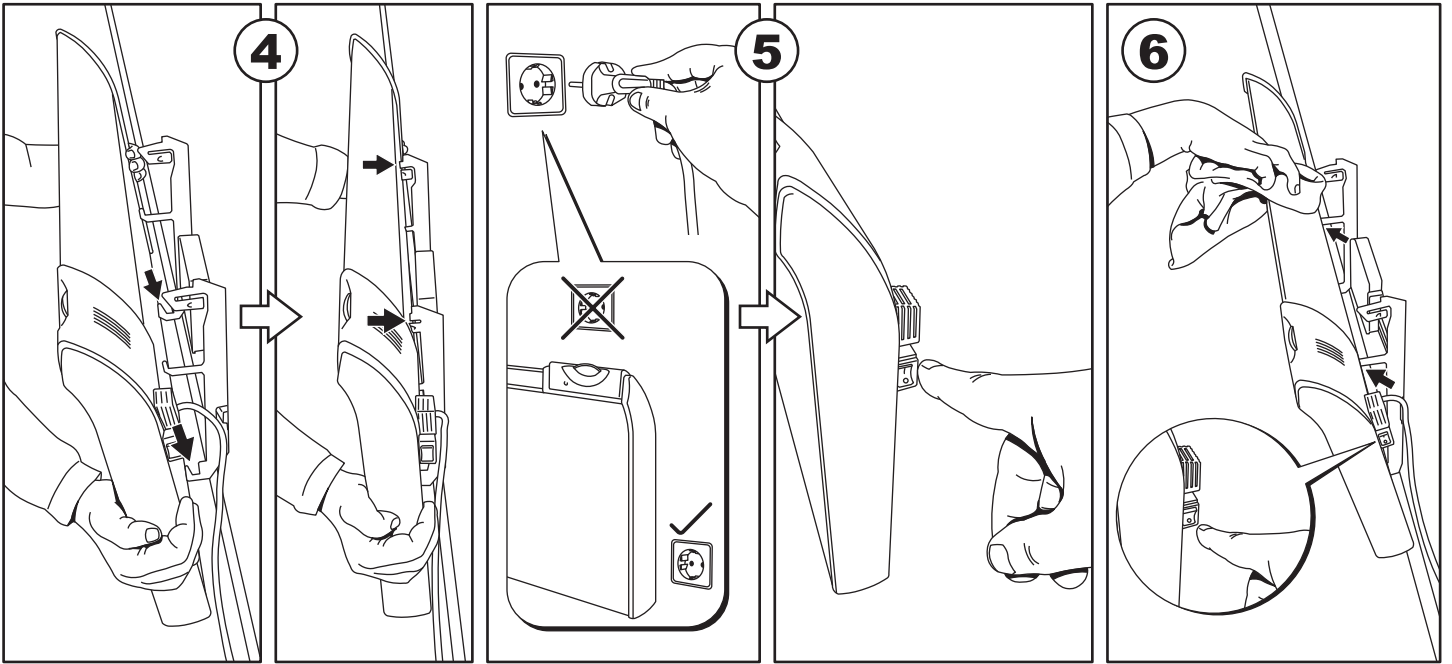
TPA • TLO • TPVD Serial no = S3

TPA / TPVD		Watt	B	A	C	D
TPA/TPVD 04	400	116	202	185	503	
TPA/TPVD 06	600	163	302	186	651	
TPA/TPVD 08	800	253	302	258	813	
TPA/TPVD 10	1000	185	605	185	975	
TPA 12	1200	230	605	230	1065	
TPA 15	1500	375	605	375	1355	
TPA 20	2000	230	1198	241	1669	

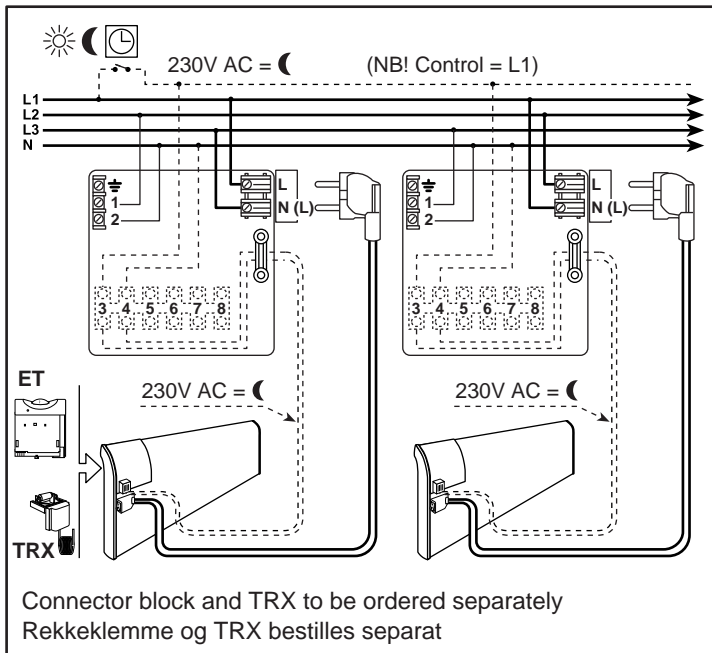
TLO		Watt	B	A	C	D
TLO 03	250	105	202	177	484	
TLO 05	500	252	302	250	803	
TLO 07	750	219	605	225	1049	
TLO 10	1000	409	605	415	1429	
TLO 14	1400	275	1198	270	1743	

TPA60/TPVD60		Watt	B	A	C	D
TPA60/TPVD60 04	400	253	302	258	813	
TPA60/TPVD60 06	600	230	605	230	1065	
TPA60/TPVD60 08	800	230	1198	241	1669	
TPA60/TPVD60 10	1000	230	1198	241	1669	





400 volt diagram



Produced by Adax as

Adax orders office:

Tel: +47 33 77 17 55 / 33 77 17 57

Fax: +47 33 77 17 78

Service:

Tel: +47 33 77 17 92

Switchboard:

Tel: +47 33 77 17 50

Fax: +47 33 77 17 51

Office address:

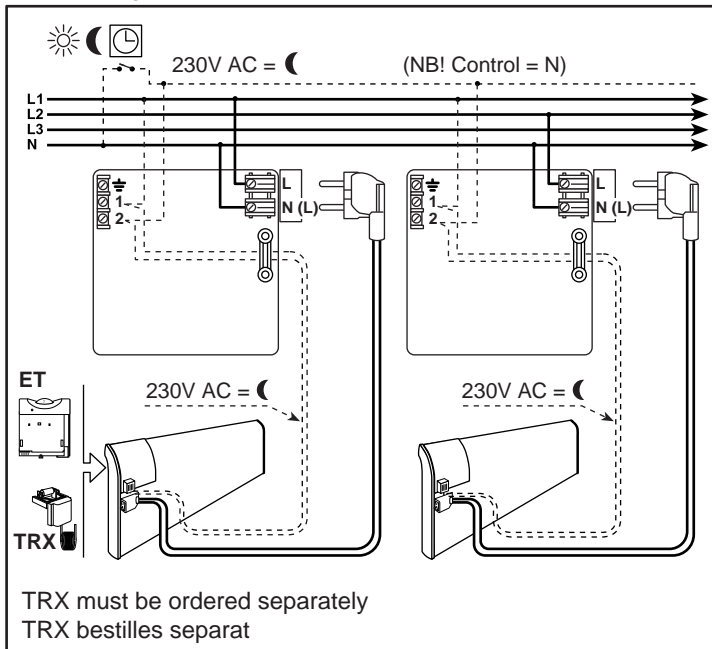
Adax as
Myhresgate 1

Postal address:

P.O. box 38
N-3061 Svelvik
Norway

<http://www.adax.no>

230 volt diagram



230 volt diagram

